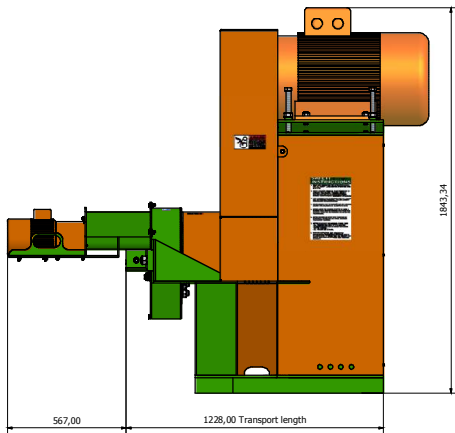
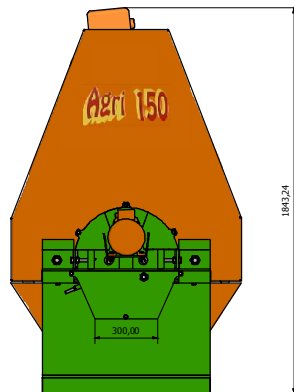


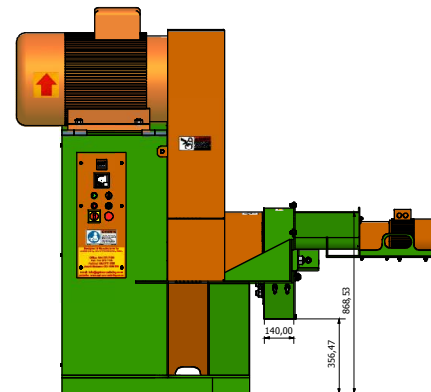
Right



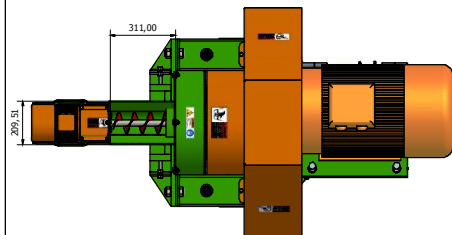
Front



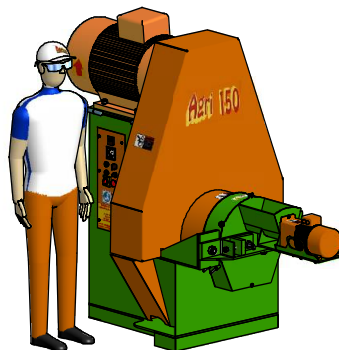
Left



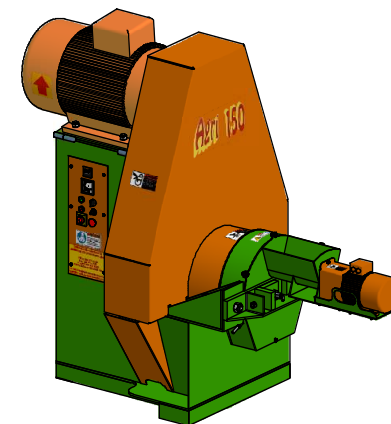
Top



Detail



150: NOT TO SCALE!



SURFACE TREATMENT	DESCRIPTION	SUPPLY QUANTITY	MATERIAL	WARRANTY	Project
	Agri 150	1		12/00 Mo	
<p>AGRICON</p> <p>P.O. Box 431, Outshoorn, South Africa 6620 Tel: +27 48 2727198 Mobile: +27 83 6999599 Fax: +27 48 2727196 mail: info@agicon-palleting.co.za Web: www.agicon-palleting.co.za</p> <p>This drawing is the property of Agricon Palleting and is only to be used for our exclusive benefit. It shall not be copied in full or in part without written permission from Agricon. Acceptance of this price will be construed as your agreement to these conditions.</p> <p>CONTRACT NO: 160611107 Customer: Andre Buisson Sales Rep: [] Size: ISO A1 Number: 1</p> <p>IMPORTANT! 1. All dimensions are in millimeters 2. Drawing to SABS 01:11 3. Referenced to SABS ISO 286, unless otherwise stated. 4. Welding symbols to SABS ISO 2553 5. Remove all burrs & sharp edges 6. Include all cast and finish marks as indicated in drawing</p>					